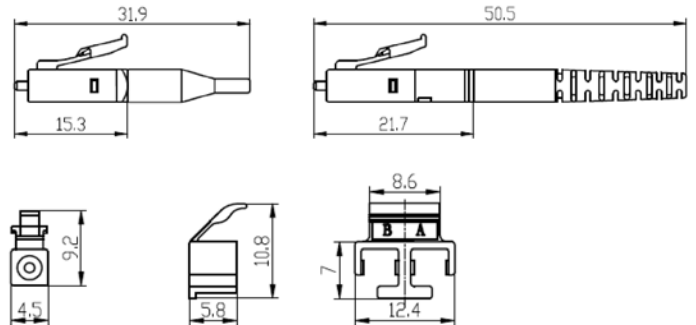


## LC - Connectors



### Properties

- Comply with IEC standard 61754-20
- Simplex and duplex styles
- RoHS compliant
- Single-mode (PC/blue, APC/green) and multi-mode (grey)
- Can be assembled with cables of 0.9 mm, 1.4 mm, 1.7-2.1 mm, 2.4 mm, 2.8 mm and other contracted diameters
- One-piece design as well as multi-piece design

### Specifications

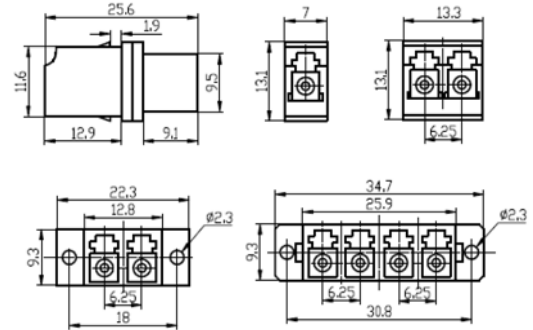
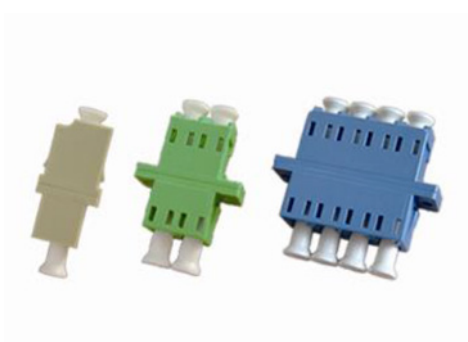
- Ferrule (zirconia) diameter : D: 1.25 mm; d: 125.3-126.3  $\mu$ m (SM & MM)
- Concentricity :  $\leq 1.0 \mu$ m (SM);  $\leq 4.0 \mu$ m (MM)
- Tuning : In 45  $^{\circ}$  steps
- Operating temperature  $^{\circ}$ C : -40 to +80
- Flammability : UL 94 V-0
- Humidity : 95 %
- Tensile load : 70 N

Single-mode Assembly Specifications		
Product Performance Class	High End	Premium
Insertion loss maximum (dB)	0.35	0.15
Insertion loss typical (dB)	0.12	0.06
Return loss (dB) PC	$\geq 45$	$\geq 45$
Return loss (dB) UPC	$\geq 55$	$\geq 55$
Return loss (dB) APC	$\geq 85$	$\geq 85$
Fiber Height (nm) PC	-30 to +100	-30 to +50
Fiber Height (nm) APC	-100 to +100	-50 to +50
Apex Offset ( $\mu$ m)	$\leq 50$	$\leq 50$
Radius (mm) PC	5 to 25	5 to 25
Radius (mm) APC	5 to 12	5 to 12
Angle ( $^{\circ}$ ) of APC	$8 \pm 0.4$	$8 \pm 0.4$
Tensile Strength (N)	$> 100$	$> 100$
Operating Temperature ( $^{\circ}$ C)	-25 to +70	-25 to +70
Flammability	UL 94 V-0	UL 94 V-0
Humidity	95 %	95 %

Multi-mode Assembly Specifications	
Insertion loss maximum (dB)	0.35
Insertion loss typical (dB)	0.20
Return loss (dB)	$\geq 27$
Fiber Height (nm)	-50 to +100
Apex Offset ( $\mu$ m)	$\leq 70$
Radius (mm)	5 to 25
Tensile Strength (N)	$> 100$
Operating Temperature ( $^{\circ}$ C)	-25 to +70
Flammability	UL 94 V-0
Humidity	95 %

All assemblies comply with IEC 61753 and IEC 61755 standards

## LC - Adapters



### Properties

- Comply with IEC standard 61754-20
- RoHS compliant
- Single-mode (PC/blue, APC/green) and multi-mode (grey)
- Zirconia sleeves
- Available with SC Footprint as well
- Available in high density quad design

### Specifications

Attenuation (dB) :	< 0.2
Repeatability 1000 cycles (dB) :	< 0.2
Service life :	> 1000
Operating temperature °C :	-40 to +80
Storage temperature °C :	-40 to +85
Flammability :	UL 94 V-0
Humidity :	95 %

#### Single-mode Assembly Specifications

Product Performance Class	High End	Premium
Insertion loss maximum (dB)	0.35	0.15
Insertion loss typical (dB)	0.12	0.06
Return loss (dB) PC	≥ 45	≥ 45
Return loss (dB) UPC	≥ 55	≥ 55
Return loss (dB) APC	≥ 85	≥ 85
Fiber Height (nm) PC	-30 to +100	-30 to +50
Fiber Height (nm) APC	-100 to +100	-50 to +50
Apex Offset (µm)	≤ 50	≤ 50
Radius (mm) PC	5 to 25	5 to 25
Radius (mm) APC	5 to 12	5 to 12
Angle (°) of APC	8 ± 0.4	8 ± 0.4
Tensile Strength (N)	> 100	> 100
Operating Temperature (°C)	-25 to +70	-25 to +70
Flammability	UL 94 V-0	UL 94 V-0
Humidity	95 %	95 %

#### Multi-mode Assembly Specifications

Insertion loss maximum (dB)	0.35
Insertion loss typical (dB)	0.20
Return loss (dB)	≥ 27
Fiber Height (nm)	-50 to +100
Apex Offset (µm)	≤ 70
Radius (mm)	5 to 25
Tensile Strength (N)	> 100
Operating Temperature (°C)	-25 to +70
Flammability	UL 94 V-0
Humidity	95 %

All assemblies comply with IEC 61753 and IEC 61755 standards